


THANKS FOR YOUR CHOICE


More information and HMD products:

 watta.si

 watta.market

Support in Europe:

 info@watta.si

 Diamond In d.o.o., Slovenia,  
Sempeter pri Gorici



by 

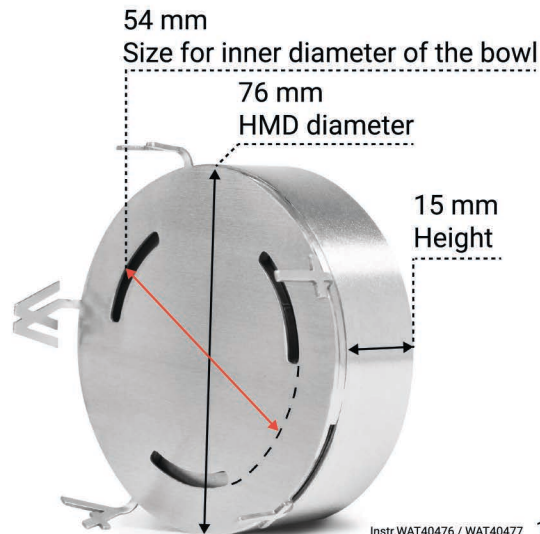


4

## HEAT MANAGEMENT DEVICE (HMD) WATTA® ROOFUS by WattaKeeper®

Art.WAT40476 / WAT40477

- Overall and coupling dimensions



Instr.WAT40476 / WAT40477 1

## INSTRUCTIONS FOR USE

1. Heat the coal.
2. Put the tobacco in the bowl.
3. Wait until each side of the coal turns red and put the coal into the HMD.
4. Put the HMD with coal accurate on the bowl and wait 5-6 minutes until the bowl with tobacco warms up. After that start smoking.
5. You can control the heat by removing or adding coal. It is not necessary to flick off the ash from the HMD.
6. After finishing smoking put the HMD with coal under water spray and cool it down. If it necessary you can clean the bottom of the HMD with a dish sponge.

2

## IDEABASE TECHNOLOGY

- Functional double HMD bottom. Protection against ingress of coal particles, ash, coal combustion products. Tobacco always stays clean.
- Uniform heating of tobacco without thermal shock protects the hookah mixture from local overheating.
- Replacement of coals is needed to maintain heat only, it is not necessary to flick off the ash from the HMD.

### **MADE FROM FOOD-GRADE STAINLESS STEEL AISI 304**

- Stainless steel ensures reliability and durability of the structure.

\*When heated, stainless steel may acquire a bronze tint.

3