



What else should you know?

- Before the first use make sure you wash the hookah for hygiene purposes.
- Use Watta WAT50108 disposable mouthpieces for the metal mouthpiece for personal hygiene.

What is the warranty period?

Watta brand products are guaranteed for 18 months. The warranty period covers non-mechanical damage and manufacturing defects.

Where can I learn more?

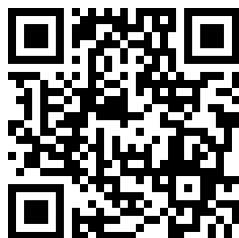
Description, technical specifications, photos and video materials are available on the information portal watta.si

We hope that the use of the hookah will be comfortable and bring you a good mood :)

Diamond in d.o.o.

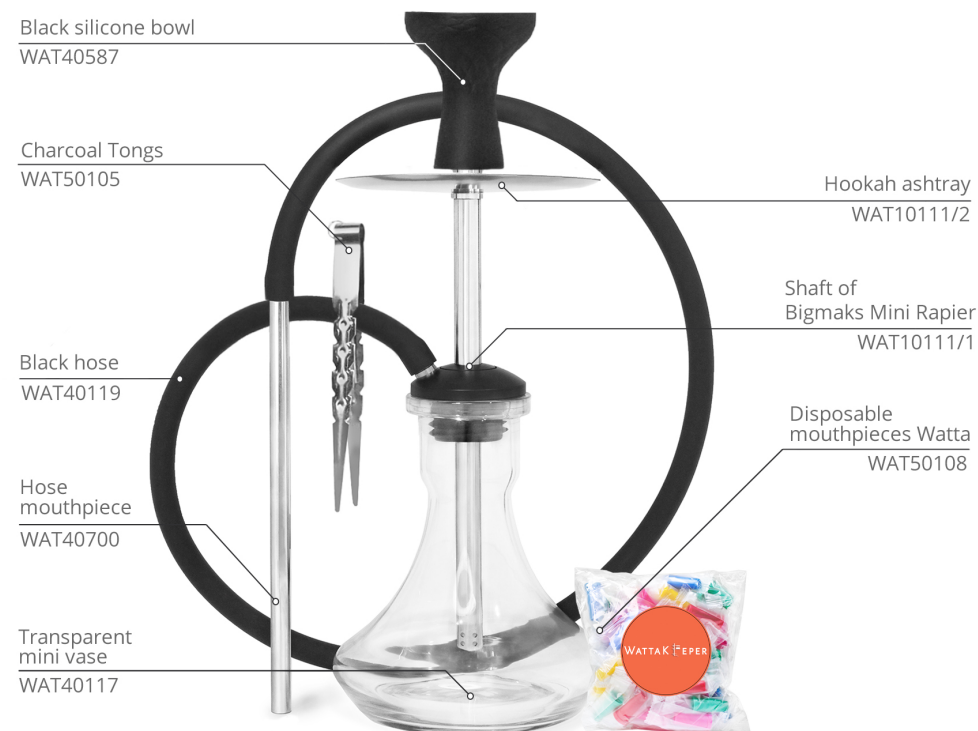
Znidarciceva uliva 7a
5290 Sempeter pri Gorici
VAT ID: 97505226

All rights reserved



Assembly instructions and warranty obligations

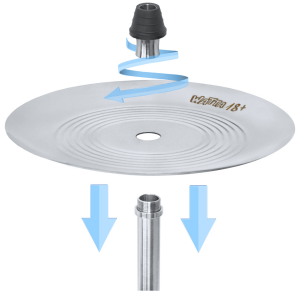

Hookah BigMaks Mini Rapier made of stainless steel with a transparent vase, silicone bowl, charcoal tongs (WAT19802)



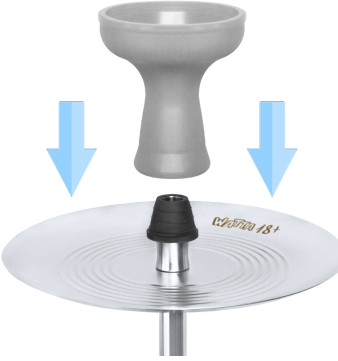


What is in the complete set?

Number according to the scheme	Name of WAT19802 hookah components
WAT10111/1	Shaft of the Bigmaks Mini Rapier
WAT10111/2	Hookah ashtray
WAT40117	Transparent mini vase
WAT40119	Black hose
WAT40700	Hose mouthpiece
WAT40587	Black silicone bowl
WAT50105	Charcoal tongs
WAT50108	Disposable mouthpieces Watta

How to assemble?

<p>STEP 1:</p> <p>unscrew the cone of the upper part of the shaft WAT10111/1, fit in the ashtray WAT10111/2 and screw the cone back;</p>	
<p>STEP 2:</p> <p>insert the assembled shaft into the vase WAT40117. If it is hard to insert the shaft into the vase, turn it clockwise;</p>	

<p>STEP 3:</p> <p>fit the hose WAT40119 in the base connector of the upper part of the shaft WAT10111/1;</p>	
<p>STEP 4:</p> <p>insert the mouthpiece WAT40700 into the hose WAT40119;</p>	
<p>STEP 5:</p> <p>Install the bowl WAT40587 onto the cone of the upper part of the shaft WAT10111/1. For silicone bowls, remove the grommets from the cone, as it is only required for clay bowls;</p>	

Good job!