



What else should you know?

- Before the first use make sure you wash the hookah for hygiene purposes.
- For your convenience, Watta 18 + hookahs have a temporary water level mark on the vase. Use it to remember the recommended water level, and then remove it.
- Use Watta WAT50108 disposable mouthpieces for the metal mouthpiece for personal hygiene.
- Use the additional WAT59145 set if you have lost the balls in the valve or to replace the grommets with new ones.

What is the warranty period?

Watta brand products are guaranteed for 18 months. The warranty period covers non-mechanical damage and manufacturing defects.

Where can I learn more?

Description, technical specifications, photos and video materials are available on the information portal watta.si

We hope that the use of the hookah will be comfortable and bring you a good mood :)

Diamond in d.o.o.

Znidarciceva uliva 7a
5290 Sempeter pri Gorici
VAT ID: 97505226



All rights reserved

Assembly instructions and warranty obligations


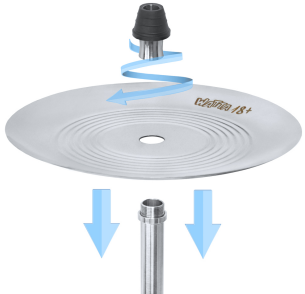
Hookah Watta 18+ (for adults) made of stainless steel with a transparent drop-shape vase, clay bowl, charcoal tongs, coal and hookah bag (WAT19T78)







What is in the complete set?

Number according to the scheme	Name of WAT19T78 hookah components
WAT10999/1	Upper part of the Watta 18+ shaft
WAT10999/2	Downstem of the Watta 18+ shaft
WAT10999/3	Hookah ashtray
WAT40115	Transparent drop-shape vase
WAT40119	Hose and hose spring
WAT40701	Hose mouthpiece
WAT40601	Clay bowl
WAT50223	Charcoal tongs «Tortuga»
WAT60991	Coal Watta 22mm, 24pcs
WAT50239	Grey hookah carrying bag
WAT50108	Disposable mouthpieces Watta
WAT59145	Additional set Watta

How to assemble?

<p>STEP 1:</p> <p>screw the downstem WAT10999/2 into the base WAT10999/1;</p>	
<p>STEP 2:</p> <p>unscrew the cone of the upper part of the shaft WAT10999/1, fit in the ashtray WAT10999/3 and screw the cone back;</p>	

<p>STEP 3:</p> <p>insert the assembled shaft into the vase WAT40115. If it is hard to insert the shaft into the vase, turn it clockwise;</p>	
<p>STEP 4:</p> <p>fit the hose WAT40119 in the base connector of the upper part of the shaft WAT10999/1;</p>	
<p>STEP 5:</p> <p>insert the mouthpiece WAT40701 into the hose WAT40119;</p>	
<p>STEP 6:</p> <p>Install the bowl WAT40601 onto the cone of the upper part of the shaft WAT10999/1. For silicone bowls, remove the grommets from the cone, as it is only required for clay bowls;</p>	

Good job!