



### What else should you know?

- Before the first use make sure you wash the hookah for hygiene purposes.
- For your convenience, Watta 18 + hookahs have a temporary water level mark on the vase. Use it to remember the recommended water level, and then remove it.
- Use Watta WAT50108 disposable mouthpieces for the metal mouthpiece for personal hygiene.
- Use the additional WAT59145 set if you have lost the balls in the valve or to replace the grommets with new ones.

### What is the warranty period?

Watta brand products are guaranteed for 18 months. The warranty period covers non-mechanical damage and manufacturing defects.

### Where can I learn more?

Description, technical specifications, photos and video materials are available on the information portal [watta.si](http://watta.si)

**We hope that the use of the hookah will be comfortable and bring you a good mood :)**

Diamond in d.o.o.

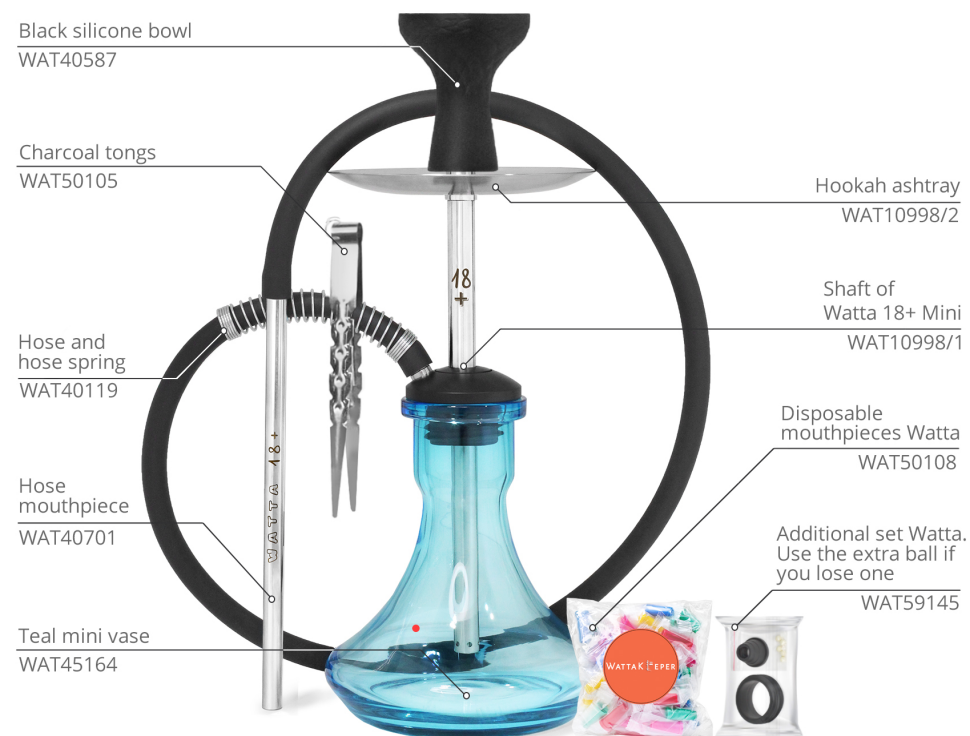
Znidarciceva uliva 7a  
5290 Sempeter pri Gorici  
VAT ID: 97505226

All rights reserved



## **Assembly instructions and warranty obligations**

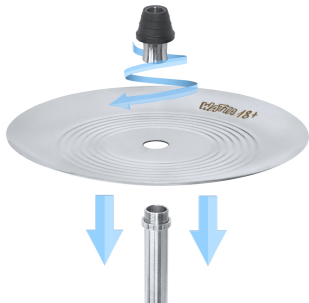

**Hookah Watta 18+ (for adults) made of stainless steel with a teal vase, silicone bowl, charcoal tongs (WAT19B29)**



## What is in the complete set?

Number according to the scheme	Name of WAT19B29 hookah components
WAT10998/1	Shaft of the Watta 18+ Mini
WAT10998/2	Hookah ashtray
WAT45164	Teal mini vase
WAT40119	Hose and hose spring
WAT40701	Hose mouthpiece
WAT40587	Black silicone bowl
WAT50105	Charcoal tongs
WAT50108	Disposable mouthpieces Watta
WAT59145	Additional set Watta

## How to assemble?

<p><b>STEP 1:</b></p> <p>unscrew the cone of the upper part of the shaft WAT10998/1, fit in the ashtray WAT10998/2 and screw the cone back;</p>	
<p><b>STEP 2:</b></p> <p>insert the assembled shaft into the vase WAT45164. If it is hard to insert the shaft into the vase, turn it clockwise;</p>	

<p><b>STEP 3:</b></p> <p>fit the hose WAT40119 in the base connector of the upper part of the shaft WAT10998/1;</p>	
<p><b>STEP 4:</b></p> <p>insert the mouthpiece WAT40701 into the hose WAT40119;</p>	
<p><b>STEP 5:</b></p> <p>Install the bowl WAT40587 onto the cone of the upper part of the shaft WAT10998/1. For silicone bowls, remove the grommets from the cone, as it is only required for clay bowls;</p>	

**Good job!**